

# Marco Electric Medical Spa Treatment Table Specifications Sheet



Spa & Equipment SKIN+ACT

Toll Free: 1.800.418.0830

[www.skinact.com](http://www.skinact.com)  
[www.spaandequipment.com](http://www.spaandequipment.com)

International: 818.834.6640

## NOTICE

No part of this document may be photocopied, reproduced, or translated into any other language without prior written consent of Spa and Equipment/SkinAct.

The information in this document is subject to change without notice at any time and should not be construed as a commitment by Spa and Equipment/SkinAct.

Spa and Equipment/SkinAct assumes no responsibility for any errors that may be in this document, nor does it make expressed or implied warranty with regard to this material, including, but not limited to, the implied warranties of merchantability and fitness for a particular purpose.

Spa and Equipment/SkinAct shall not be liable for incidental or consequential damages arising out of the furnishing, performance, or use of this document and the program material which it describes.

Spa  Equipment SKIN+ACT



Toll Free: 1.800.418.0830

[www.skinact.com](http://www.skinact.com)  
[www.spaandequipment.com](http://www.spaandequipment.com)

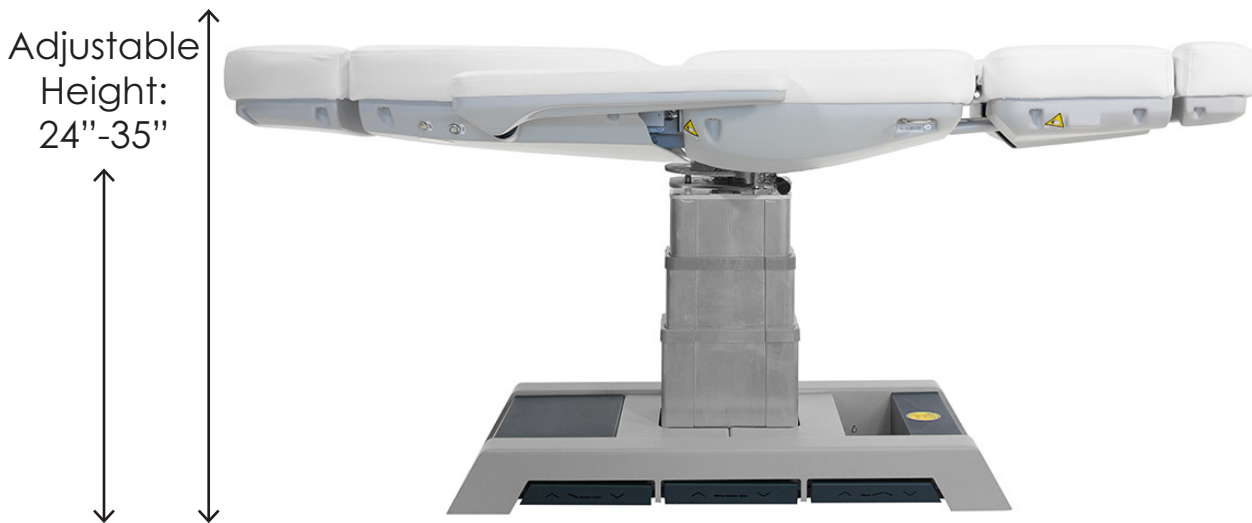
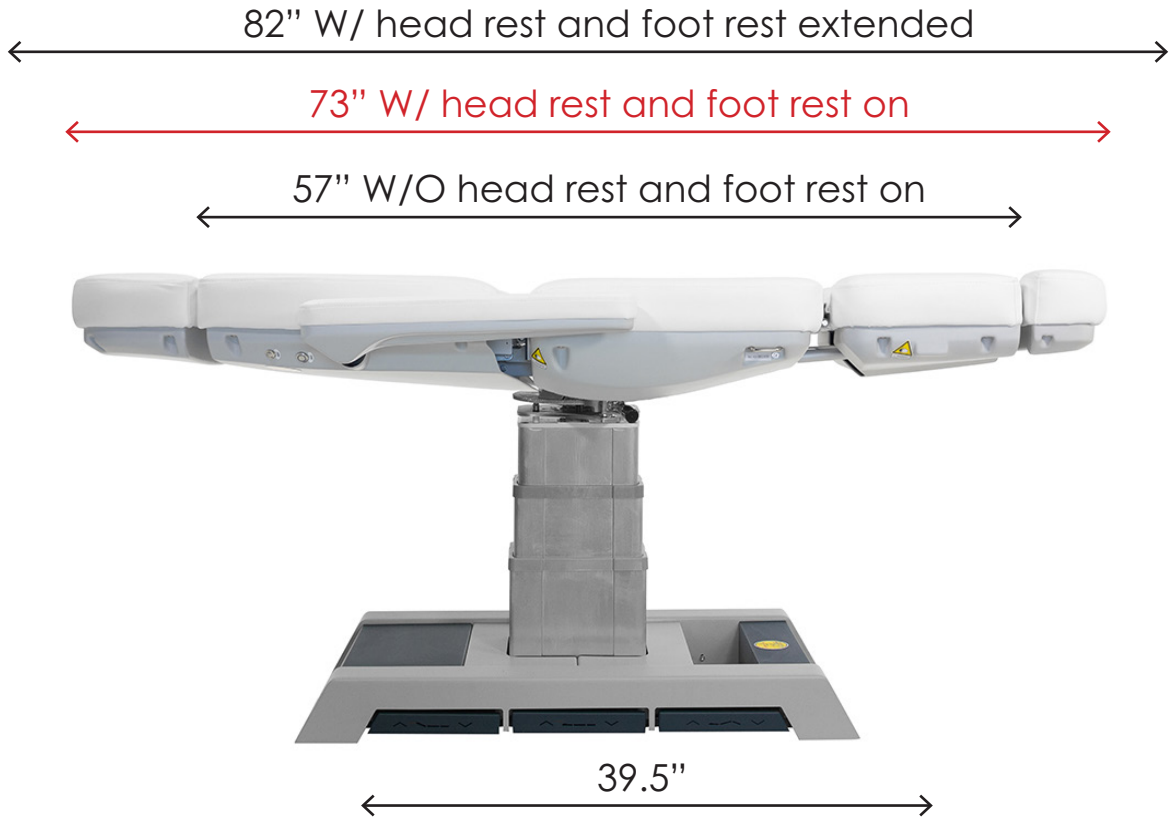
International: 818.834.6640

# Foot and Hand Controls for the Marco



Spa & Equipment SKIN+ACT

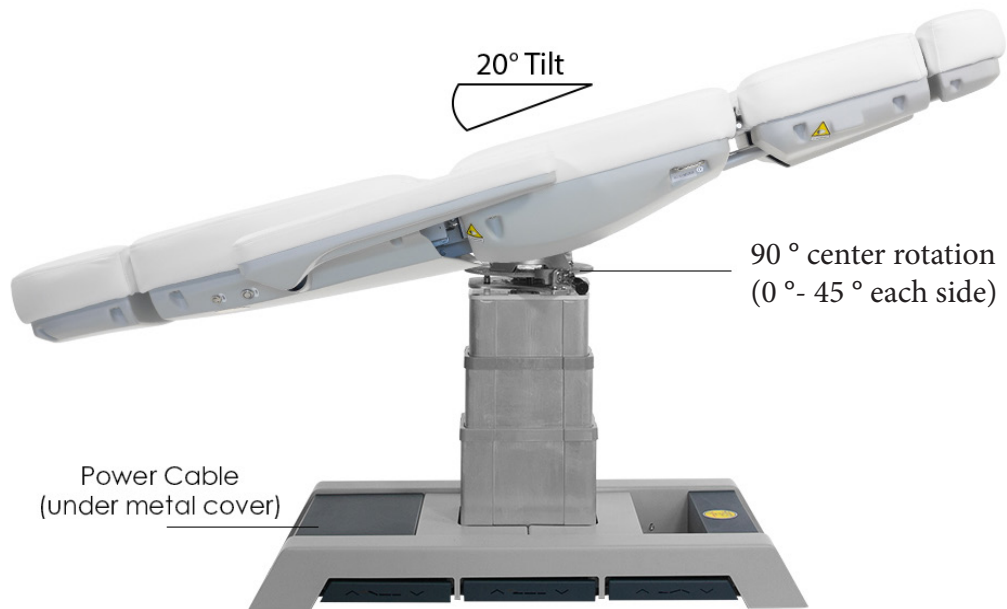
# Measurements



# Measurements



# Measurements



# Highlights

## Movements:

- Electric backrest angle adjustment
- Electric leg rest angle adjustment
- Electric height adjustment
- Electric seat tilt adjustment
- Manual removable arm rests
- Manual head rest extension and leg rest extension

## Dimensions/Specifications:

- Length without footrest and headrest attached: 57"
- Length with leg rest extension and head rest attached: 73"
- Length with both leg rest and head rest extended out: 82"
- Width without arm rests: 25"
- Width with arm rests: 34"
- Height 24" - 35"
- BASE ONLY Dimensions: 39.5" L x 21.5" W
- Backrest angle: 0° to 80°
- Leg rest angle: 0° to 85°
- Seat angle: 0° to 20°
- Capacity of 450 lbs
- Colors available: Black, White, or Grey

\* All height measurements are from ground to top of cushion \*

\*\* All measurements have a 0.25 to 0.75 inch tolerance \*\*

## Warranty Information:

- 1-year warranty