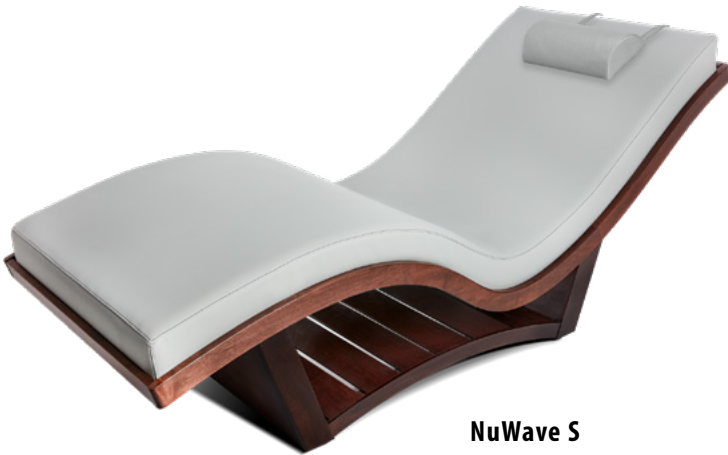


NuWave™ Lounger



**NuWave**



**NuWave S**

# Introduction

Congratulations on your purchase of the NuWave™ Lounger, featuring sleek, zero gravity design with plush cushioning for the ultimate in style and comfort. With options like TheraSound Acoustic Resonance Therapy and lighting, you can customize your loungers to be the perfect fit for your clients.

NuWave™ Loungers are designed for licensed therapists and are intended to be used in a professional spa, massage studio, or similar commercial environment. While no special training is needed to operate, for safety reasons it is important that the instructions contained in this manual are reviewed in detail before the first use. This manual should be read in its entirety by each professional who will be using the lounger to ensure the safety of both operator and client. This manual should be saved for future reference.

The NuWave™ Lounger should not be used in any other manner than described in this manual. Please read, understand, and follow all safety warnings, labels, and instructions. Misuse, use of unnecessary force, or using the product for unintended or unauthorized procedures can result in injury to operator, client, and/or equipment.

Detailed instructions for use and maintenance can be found in this user manual. If you have further questions, please contact us at (800) 872-0560 for US customers, or (760) 597-2155 for international customers. We can also be reached via e-mail at [info@livingearthcrafts.com](mailto:info@livingearthcrafts.com)

# Table of Contents

## Section 1: Safety Information

Safety Symbols .....	2
Warnings .....	2-3

## Section 2: Product Overview

Product Photos .....	4
Product Specifications .....	5

## Section 3: Operating Instructions

Moving Your Lounger .....	6
Basic Setup .....	6
Electrical Specifications .....	6
TheraSound Instructions.....	7-8
Mind-Sync Instructions .....	9-11

## Section 5: Care & Maintenance

Care Instructions .....	12
Troubleshooting .....	13
Warranty Information .....	13
Contact Us .....	back cover

### Legal Notice

The information provided in this document is intended for informational purposes only and is subject to change without notice. The information provided in this document should not be construed as a commitment by Living Earth Crafts®.

Living Earth Crafts® assumes no responsibility for the accuracy or suitability of the information contained in this document. This document may contain technical inaccuracies or errors. Living Earth Crafts® makes no expressed or implied warranties of any kind concerning the information contained in this document, including, but not limited to, the implied warranties of merchantability and fitness for purpose.

Living Earth Crafts® shall not be liable for incidental or consequential damages in connection with or arising out of the product, performance, or use of this document and the information and material it describes.

© Copyright 2022  
Living Earth Crafts®

All rights reserved. This document or any portion thereof may not be reproduced in any way, including photocopying or translation to another language without the prior written permission from Living Earth Crafts.


Living Earth Crafts® is a registered trademark of Earthlite, LLC.

# SECTION 1: SAFETY INFORMATION


## Safety Symbols

Familiarize yourself with the following Safety & Warning symbols. They are designed to prevent damage and injury to you, your clients, and your new Living Earth Crafts product.


**IMPORTANT:** The important safety instructions and warnings in this manual cannot cover all possible problems and conditions that can occur. Use common sense and caution when installing, operating, or maintaining this appliance.



Indicates an imminently hazardous situation which could result in serious or fatal injury.



Indicates a potentially hazardous situation which could result in serious injury.



Indicates a potentially hazardous situation which could result in equipment damage and/or injury.

## IMPORTANT SAFETY INSTRUCTIONS - FOR COMMERCIAL USE ONLY

Read all instructions before using this product.



### RISK OF ELECTRIC SHOCK, FIRE, AND EXPLOSION

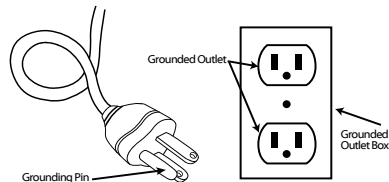
These warnings apply for NuWave loungers with optional electrical components:

- 1) Always unplug this furnishing from the electrical outlet before servicing.
- 2) Never use this furnishing if it has a damaged cord or plug, if it is not working properly, if it has been dropped or damaged, or dropped into water. Return the furnishing to a service center for examination and repair.
- 3) Keep the cord away from heated surfaces.
- 4) Do not use outdoors.
- 5) Do not operate where aerosol (spray) projects are being used or where oxygen is being administered.
- 6) Connect this furnishing to a properly grounded outlet only. See Grounding Instructions.

## GROUNDING INSTRUCTIONS:

**POWER SUPPLY:** (120V AC grounded) Electrical limitations: Do not use extension cord with this product, plug directly into grounded outlet. This product must be grounded. If it should malfunction or breakdown, grounding provides a path of least resistance for electric current to reduce the risk of electric shock. This product is equipped with a cord having an equipment-grounding conductor and a grounding plug. This three prong grounded plug will only fit into wall outlet one way. If the plug does not fit fully in the outlet, contact a qualified electrician to install the proper outlet. Do not change the plug in any way.

### NORTH AMERICA ONLY



### INTERNATIONAL VERSIONS ONLY

This product is for use on a nominal 220V-240V circuit and has a grounding plug (plug type varies by country). Make sure that the product is connected to an outlet having the same configuration as the plug. No adapter should be used with this product.

# SECTION 1: SAFETY INFORMATION



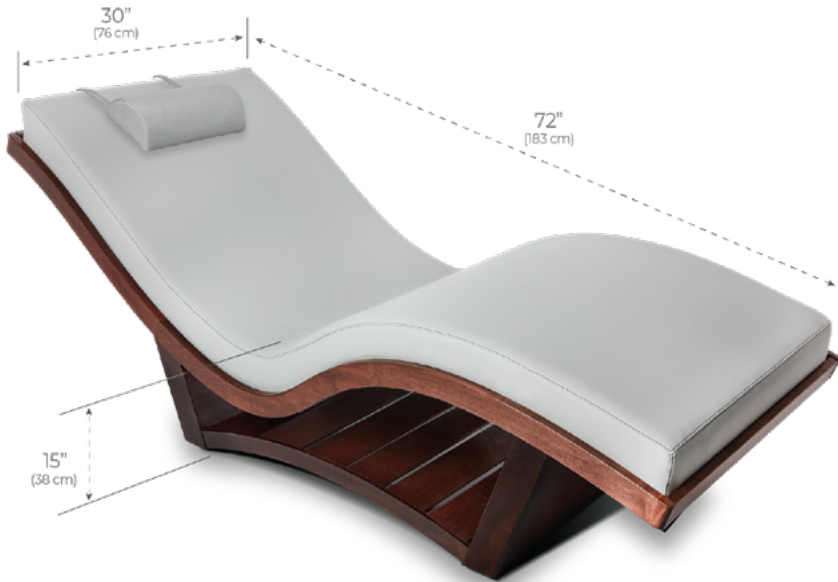
To reduce the risk of burns, fire, electric shock, or injury to persons:

- 1) Use this furnishing only for its intended use as described in these instructions. Do not use attachments not recommended by the manufacturer.
- 2) Do not operate this equipment unless properly trained.
- 3) Close supervision is necessary when this furnishing is used by, or near children, invalids, or disabled persons.
- 4) Do not use this furnishing to support video equipment such as televisions or computer monitors.



- 1) Never use this furnishing on an uneven surface.
- 2) Never use or store your table in a wet or very humid environment. Water and excessive moisture can damage the wood cabinet and electrical components. Evidence of exposure to water or moisture will void your warranty.
- 3) Never drop or insert any object into any opening.

## SECTION 2: PRODUCT OVERVIEW



## SECTION 2: PRODUCT OVERVIEW

### Product Specifications

<b>Width</b>	Standard: 31" (79 cm)
<b>Length</b>	Standard: 73" (185 cm)
<b>Seat Height</b>	15" (43 cm)

*\*Measurements may vary due to natural material variations.*

### Included Features

Feature	Standard	Optional
Strata® Memory Foam Mattress	X	
Neck Roll Pillow	X	
Maple Hardwood Cabinet	X	
Upholstery	Comfort-Flex™	Ultraleather® or Promessa®
TheraSound System		X
Dimmable Reading Lamp		X
Mind-Sync™		X*
Relaxor®		X*

*\*Not available on NuWave S*

## SECTION 4: OPERATING INSTRUCTIONS

Your NuWave Lounger comes completely assembled and ready to use. Once the lounger is unpacked, follow the “Moving Your Lounger” instructions below.

### Moving Your Lounger



Your NuWave Lounger is very heavy - extreme caution should be used to avoid injury to yourself, others around you, and your lounger. DO NOT lift or move without using proper safety procedures/equipment.

### Basic Setup Instructions

Once your NuWave Lounger is positioned for use, follow these steps:

- If applicable, plug the power cord into a grounded outlet that is properly rated.
- If applicable, arrange and secure the power cord so it will not create a tripping hazard.

### Electrical Specifications

Spec	North America	Europe/Asia
Input Voltage	120 VAC	220 VAC
Input Frequency	60 Hz	50 Hz
Consumption - TheraSound	1A	.56A
Consumption - Lamp	.5A	.28A
Consumption - MindSync	1.25A	.63A
Consumption - Relaxor	4A	2A

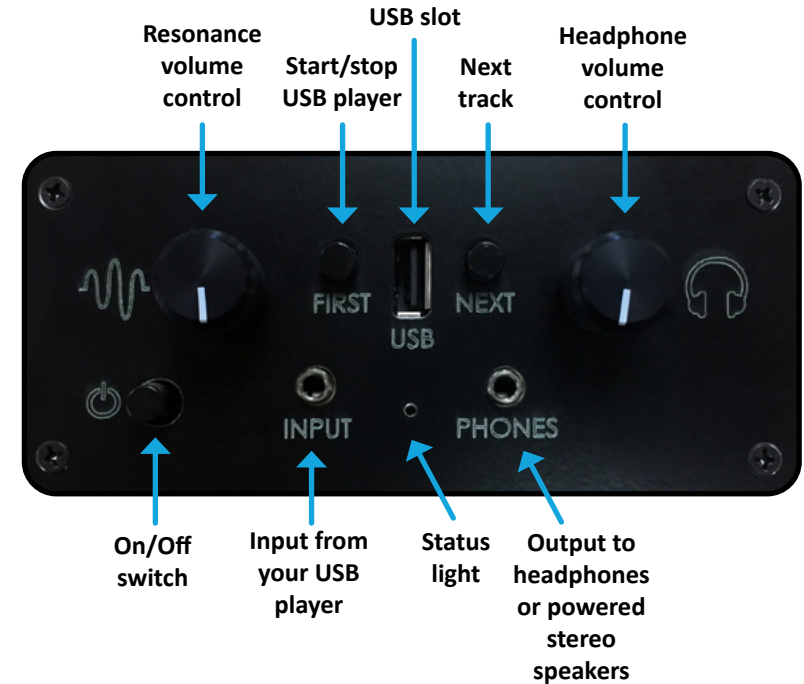
## SECTION 4: OPERATING INSTRUCTIONS

### TheraSound Amp Operating Instructions (Optional)

The TheraSound Amp is the proprietary amplifier used to power your SoundHearts. It has been specially designed to work with almost any musical device, and to deliver the deep, resonating tones and harmonies that are so beneficial to a relaxing experience.



Never force the connection between your phone/music player and the TheraSound Amp. The correct cable connection is standard on most devices, should never require forced pressure to complete.



### Volume/Resonance Control

The resonance knob should not have to be more than half way (11-12:00 o'clock position) or distortion will be a problem. The status light will turn green when the system is in distortion and you will hear a popping sound.

### Using a Phone or Player

If you want to use a phone or another player, plug in the 3.5mm male-male cable into the headphone output of your phone and plug in the other end into the front of the amp labeled “INPUT”.



Since the TheraSound System uses magnets in the SoundHearts, people with pacemakers or any other implanted magnetically-sensitive medical device should consult with a doctor before lying on a table with this system.



The TheraSound system has no user-serviceable parts. Never attempt to open or repair the TheraSound System.

## SECTION 4: OPERATING INSTRUCTIONS

### TheraSound Amp - Troubleshooting

#### 1. Basic Troubleshooting

- Ensure that the music source's volume is turned up and mute is not enabled.
- If you have an internal equalizer on your musical device, ensure that the balance is set equally between Left and Right,
- Ensure that your mp3 player or music source is plugged into the "INPUT" socket on the front of the TheraSound Amp (see section, figure image)

#### 2. I can't feel the resonance

- Adjust the left knob on the left side of the Amp to control the vibration levels of the SoundHearts.
- Check to see if the blue light is on (front of amp).
- If you have the 3.5mm cable plugged in, you will not hear anything from the USB. Unplug the cable to hear the music on the USB.

#### 3. I can only feel the resonance on one side of the lounger

- Check that the balance of your musical device is balanced equally between left and right, and forward and backward if applicable

#### 4. I can't hear anything out of my external speakers or headphones

- Adjust the right knob on the right of the Amp to control headphone or external speaker volume
- Adjust the volume of your external speakers
- Check that the balance of your musical device is balanced equally between left and right.

#### 5. I can hear music through my headphones or speakers, but the vibration from the lounger is very weak or distorted

- The bonus music that came with your lounger was specially created to resonate with the SoundHearts within the platform. Due to different levels of studio production and recording quality, some music that may "sound" good, may not "resonate" as well out of the SoundHearts. But don't be dismayed, you may find that music that you may not normally "listen" to, feels unbelievable when coming through the SoundHearts.
- Check that the balance of your musical device is balanced equally between left and right, and forward and backward if applicable
- Adjust the resonance with the left knob on the So Sound Amp
- Try using a non MP3 format. Try using the standard to all Cds (.wav) or a non-compressed audio format.
- Make sure the output from your player is on high (about 8 out of 10) but not so much as to distort the sound.

### Warranty

SoundHearts and Amp – 1 (One) Year Limited

The TheraSound components are not user-serviceable. Opening either the TheraSound Amp or any of the TheraSound components voids all warranties

## SECTION 4: OPERATING INSTRUCTIONS

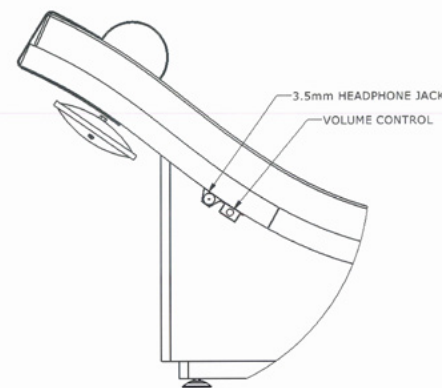
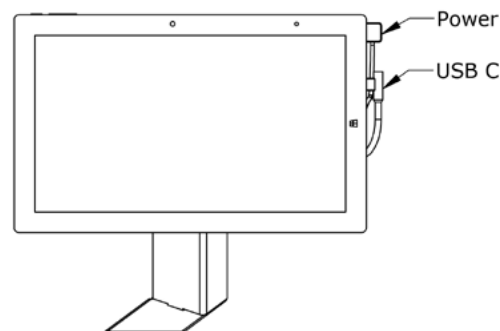
### Mind-Sync Operating Instructions (Optional)

The Mind-Sync system deploys binaural beats, gamma sound waves, and acoustic resonance therapy. Full spectrum sound waves resonate through four channel high fidelity transducers mounted strategically in the chair frame to achieve unprecedented levels of stress reduction and cellular level harmonic synchronization.

Scientifically proven Vibro-Acoustic Therapy reduces stress and promotes relaxation – harmonic resonant waves are directed along the Vagus nerve line, which links to the para-sympathetic control system of the heart, lungs, and digestive tract. Numerous medical studies have proven the effectiveness of this stress reduction treatment.

### Mind-Sync Initial Setup

1. Put together tablet stand.
2. Locate power cable under the right side of the seat.
3. Connect the cables to the tablet (per diagram).
4. Plug headphones into jack on side of chair.
5. Plug in power cable of chair into 110V outlet.



## SECTION 4: OPERATING INSTRUCTIONS

### Mind-Sync™ Touch Screen Control

The below image shows the menu on the Mind-Sync™ touch screen control. See next page for descriptions of each program and instructions for daily use.



## SECTION 4: OPERATING INSTRUCTIONS

### Daily Use Instructions

**NOTE:** Ensure headphones are charged for daily use. Headphones **MUST** be plugged in and turned on to operate Mind-Sync™. Refer to headphones user manual for charging instructions.

1. Plug headphones into the headphone jack, located on the right side of the chair, below the armrest.
2. Turn on the tablet by holding down the power button (top left button on tablet) until a blue light illuminates, and wait 20-30 seconds for the Mind-Sync™ system to load. When the Mind-Sync™ home screen appears, the system is ready for use.
3. Use the touch screen to choose from the 6 Mind-Sync™ journeys:

**NOTE:** Once the journey starts by pushing "PLAY", there is no way to pause, rewind, or fast-forward the program. To stop the program, press the "HOME" button in the bottom right corner of the tablet screen.

- **Stress Reduction**
    - Emotional Reset - 25 min length  
Release energy that no longer serves you
    - Soul Soak - 20 min length  
Surrender yourself to the depths of relaxation
  - **Enhanced Sleep**
    - Neo-Nap - 20 min length  
The modern nap for bustling professionals
    - Delta Dreams - 60 min length  
Succumb to the deepest level of dreams through this guided venture inward
  - **Augmented Meditation**
    - Nature's Journey - 25 min length  
Let the wilderness of your heart find you through these soothing sounds of nature
    - Stress Release - 25 min length  
Free yourself from tension through letting go
4. Adjust volume by using the knob next to the headphone jack, located on the right side of the chair, below the armrest.
  5. Once you have finished listening to the journey, press the home button to return to the home screen. This can be done at any time.

## SECTION 5: CARE & MAINTENANCE

### Cleaning & Ongoing Maintenance



#### RISK OF ELECTRIC SHOCK

Always unplug this furnishing from the electrical outlet before cleaning.



DO NOT USE acetone, "Armor All" type cleaners, citrus-based cleaners, or industrial cleaners. These can seriously damage the upholstery. Such damage would not be covered under warranty.

With proper maintenance, your Wave Lounger is designed to give you years of trouble-free operation. To ensure your lounger will continue to function properly and keep its appearance, we recommend the following.

Category	Care Recommendation
Upholstery	Remove day-to-day dirt and smudges with a mild soap and water solution. For tough stains and to disinfect, use a (100 to 1) water to bleach solution. Spray a damp cloth with the solution to clean. After each cleaning, gently wipe the upholstery with a damp cloth and clean water, then allow upholstery to air dry before using or storing. For more difficult stains, please contact your dealer or please call us directly for guidance. For best results, use only the products suggested above.
Wood	To maintain the wood finish and retouch scratches, use a high quality furniture wax.
Electronics	Anti-static electronic aerosol dusters can be used to keep the surfaces of electronic components, power cables, and plugs free of dust.

## SECTION 5: CARE & MAINTENANCE

### Troubleshooting

This helpful troubleshooting guide will provide you with information about how to recognize a problem with your lounger, determine possible causes, and find a solution.

In the event your specific situation is not covered in this guide, please contact Living Earth Crafts so our technical support department can assist you. Beyond the troubleshooting guide below, do not attempt to repair the lounger yourself. This can void your warranty.

Unauthorized service will not be covered. Please be sure to contact Living Earth Crafts Customer Service first at (800) 358-8292, (760) 597-2155 Int'l.

Issue	Solution
Electrical components not working	<ol style="list-style-type: none"> <li>1. Ensure the lounger is plugged in.</li> <li>2. If using a dimmer switch, ensure it is turned to full power.</li> <li>3. Ensure the outlet in your room is receiving power. This can be done by plugging in a small appliance and turning it on.</li> <li>4. Check the fuse or circuit breaker for blown fuse or tripped breaker.</li> </ol>

### Warranty Information

Living Earth Crafts (LEC) offers an industry best one (1) year warranty, worldwide, on all chairs and accessories. Foam and upholstery covering are warranted for three (3) years. Accessories and options are warranted for one (1) year, unless otherwise noted. LEC may repair or replace defective components at our discretion. LEC will return the warranted product, standard shipping pre-paid, to customers in the continental US. International customers are responsible for any applicable duties and taxes, as well as all shipping charges inbound and outbound. Normal wear and tear, and costs associated with maintenance procedures, and damage caused by accident, misuse, improper maintenance, harsh operating environments or neglect (which includes tears in the upholstery and damage caused by harsh chemical-based cleaners) are not covered under this warranty. All warranties are limited to repair or replacement, at LEC's discretion, unless otherwise stated.





## Contact Us

Living Earth Crafts  
990 Joshua Way  
Vista, CA. 92081  
(800) 358-8292  
(760) 597-2155 Int'l  
(866) 449-8872 fax  
[info@livingearthcrafts.com](mailto:info@livingearthcrafts.com)

Hours of operation:

Monday - Friday  
8:00 a.m. to 5 p.m. PST

Saturday - Sunday  
Closed

Visit us online at: [livingearthcrafts.com](http://livingearthcrafts.com)



Join us on  
Facebook



Follow us on  
Twitter



Follow us on  
Instagram



Connect with us  
on Linked In