

# SKIN+ACT

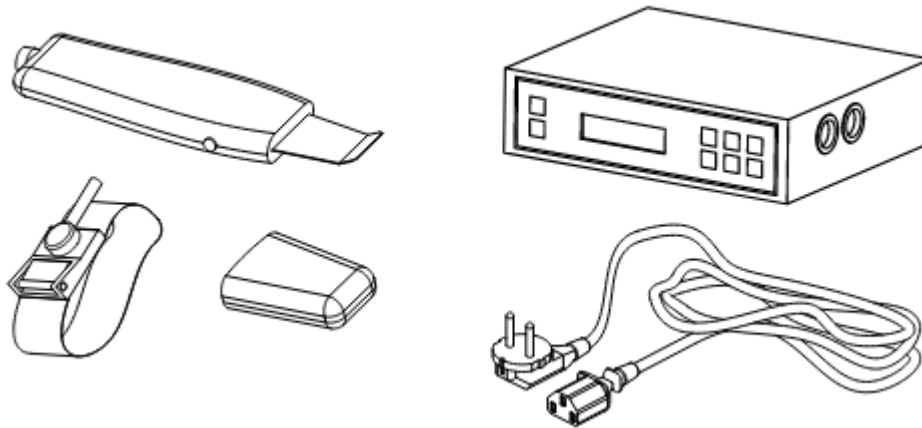


**Skin Scrubber Facial Skin Care Unit**

**SKU25362**

## PACKAGE CONTENTS

- These components are subject to change without prior notice.
- Appearance of product may differ from the image.



## FRONT PANEL



## INSTRUCTIONS OF USE

- Connect the power supply via the rear panel.
- Connect the accessories properly in the lateral panel.
- Place the bracelet around the customer's wrist.
- Turn on the "POWER" button.
- Select the desired waveform output by pressing "STATE", the power output level by pressing "ENERGY" and the time by pressing "TIME". You can change any of these settings during the treatment.
- Press the "START/PAUSE" button.

## NOTES

A positive earth control system is in place while the machine is operating. This means that unless the machine

can find an earth return, the system will stop the current output to the probe. However, once the probe comes back into contact with the customer (the earth circuit is found), the system will restart the output immediately. This is a safety feature and should not be mistaken for a system fault.

## CAUTIONS

- People suffering from the following diseases are required not to use it: heart diseases, infectious diseases, people with metal implants and hypersensitive or vascular skins.
- Do not use the probe in one position on the skin for too long, to avoid the risk of burning.
- Always handle the probe with care as it contains delicate components. Take particular care of the probe blade as any damage will cause scratching of the skin's surface during use. Always store the probe safely when not in use.

## INSTRUCTIONS OF USE

- Connect the power supply via the rear panel.
- Connect the accessories properly in the lateral panel.
- Place the bracelet around the customer's wrist.
- Turn on the "POWER" button.
- Select the desired waveform output by pressing "STATE", the power output level by pressing "ENERGY" and the time by pressing "TIME". You can change any of these settings during the treatment.
- Press the "START/PAUSE" button.

## FAQ

- The probe suddenly stops emitting:
  - If the probe is separated from the skin, it will stop emitting after 5 seconds. This is a safety feature and should not be mistaken for a system fault.
  - Touch the skin with the probe and it will start emitting again after 5 seconds.

## MAINTENANCE

- Any oil on the probe must be removed immediately.
- After use, please clean the probe. Store it in the probe-protecting sleeve at all time.
- Store the probe carefully to avoid damaging it.

## TECHNICAL SHEET

Weights and sizes	Product size (cm)	20.7×22×7
	Gross weight (kg)	3.5
Electrical characteristics	Rated voltage	AC 100-240V
	Frecuency	50/60Hz
	Rated power	10 W

1-800-418-0830 TOLL FREE

1-818-834-6640 INTERNATIONAL

Address: 9667 Canoga Ave, Chatsworth, CA 91311

# SKIN+ACT