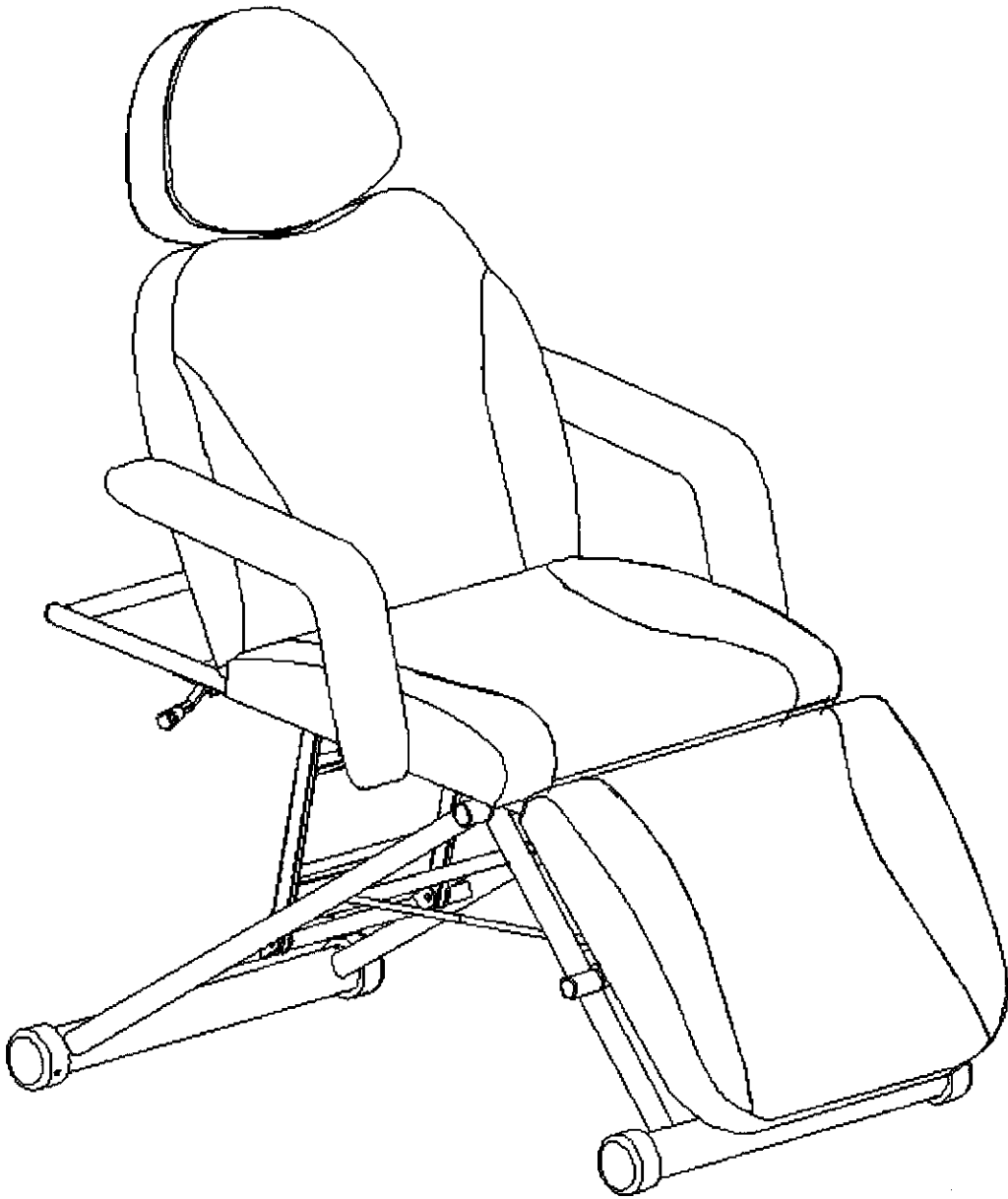


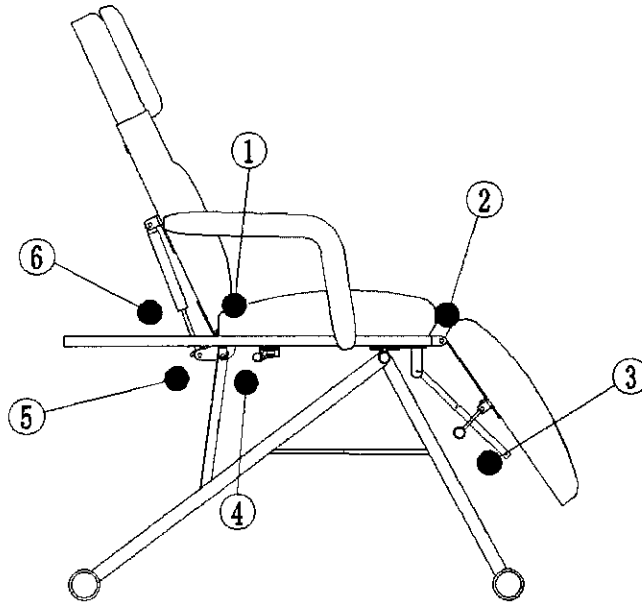
# Owner manual



## Cautionary and suggestive notes:

When using each function of this beauty bed, it is forbidden to put hands, feet, head and other parts into ①②③④⑤⑥ in the figure (see the figure below for details).

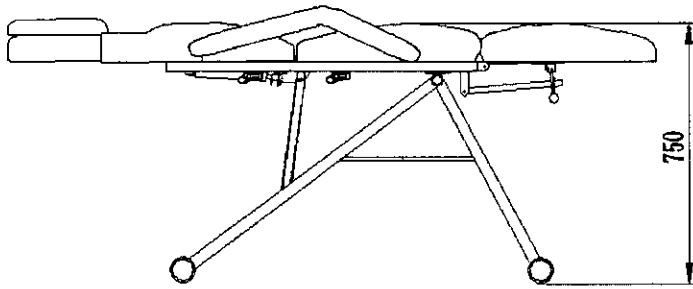
Repairs must be carried out by trained professionals.



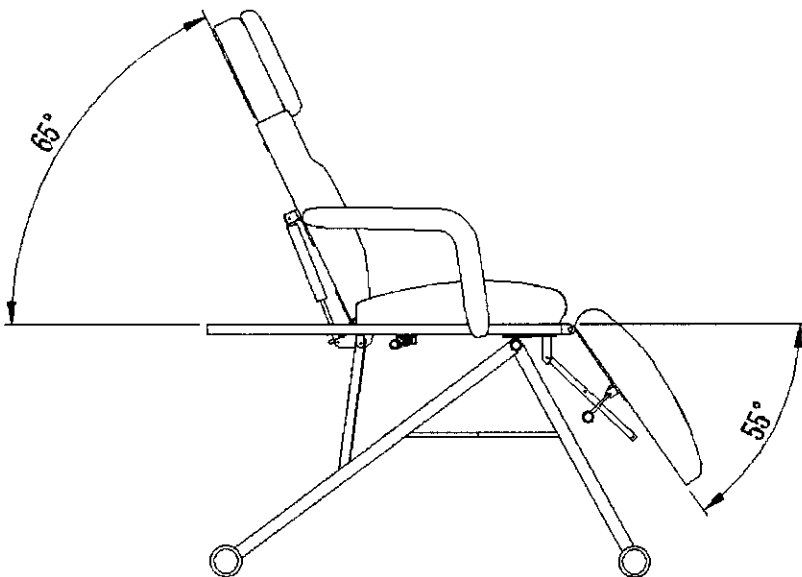
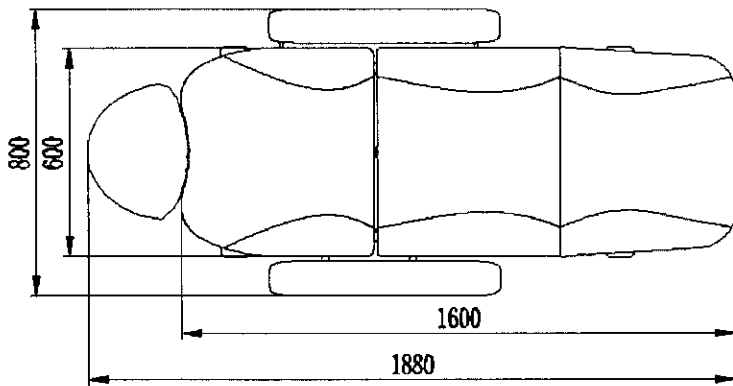
## Precautions.

1. This product should not be used by people with osteoporosis or those with heart problems.
2. This product should not be used by pregnant women or women who are menstruating.
3. The product is not suitable for use by persons with physical trauma or superficial diseases.
4. Children under 14 years of age and the mentally confused are not allowed to use the product when unsupervised.
5. In order to avoid electric shock, please do not plug and unplug the power plug with wet hands.
6. Do not use the product before installation is completed.
7. please use a soft towel with diluted neutral detergent for surface cleaning.
8. Please do not disassemble the product without authorization, and contact the local operator for repair and maintenance.



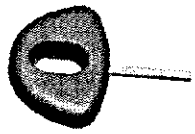





●Parameters:



SIZE:1880\*800\*750mm  
N.W: 37kg  
G.W: 51kg  
Load capacity: 150kg  
Padding: Sponge  
Materia: PU/PVC

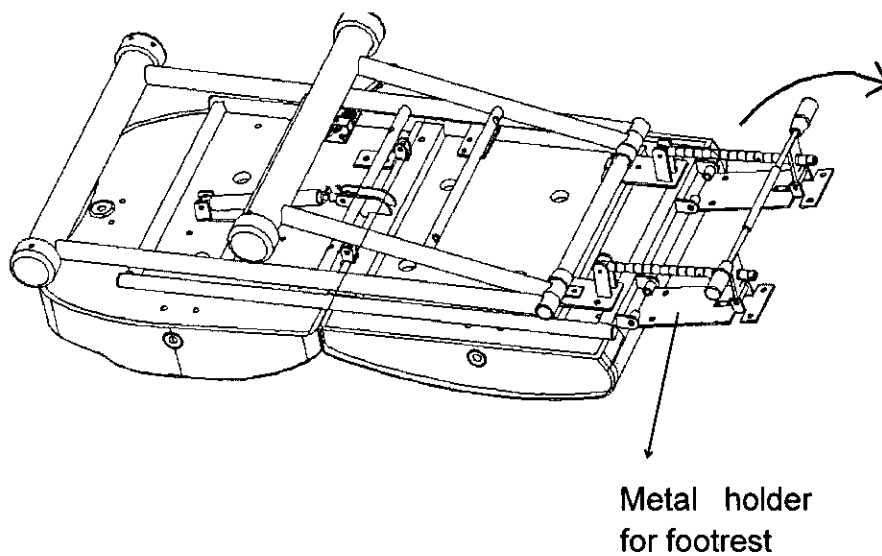


● **Accessory List:**

Name	Pictures	Quantity
Left armrest		1
Right armrest		1
Pillow		1
Soft Pillow		1
Iron		2
Butterfly nuts		4
Hexagonal nuts		3
Support holder		1

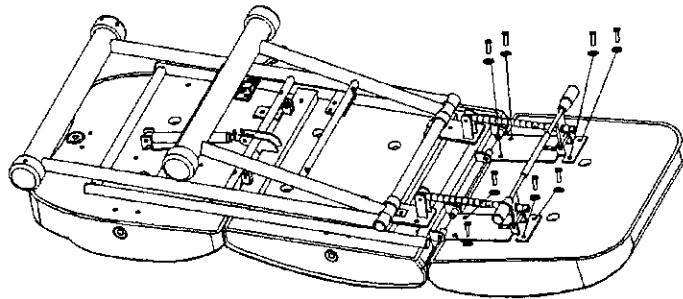
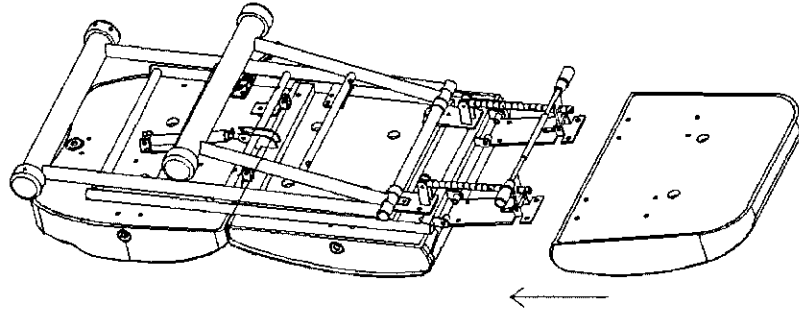
● **Installation**

Adjust the position of metal holder of footrest as right side picture :



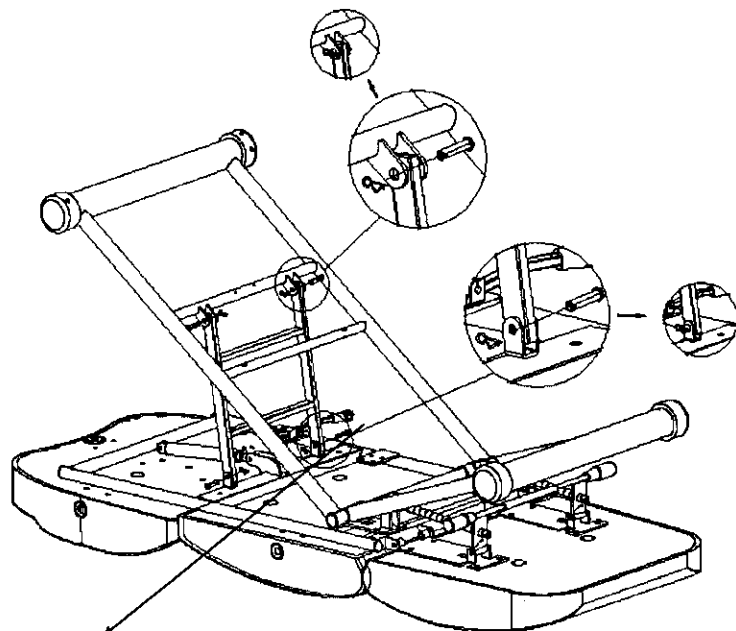
●Foot cushion installation

1-Put the seat cushion on the metal holder  
Fix it with hex screw as right side picture:



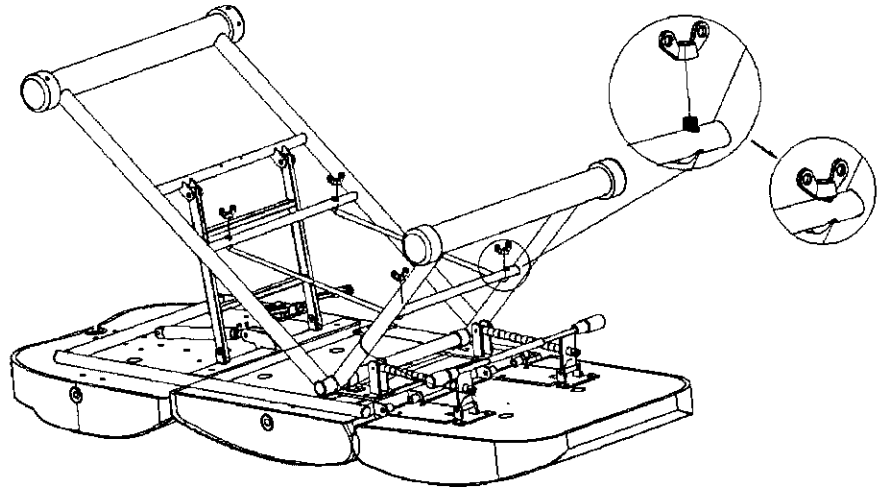
●Support holder installation

As right side picture :



Support holder

●Metal frame  
installation as right  
side picture :



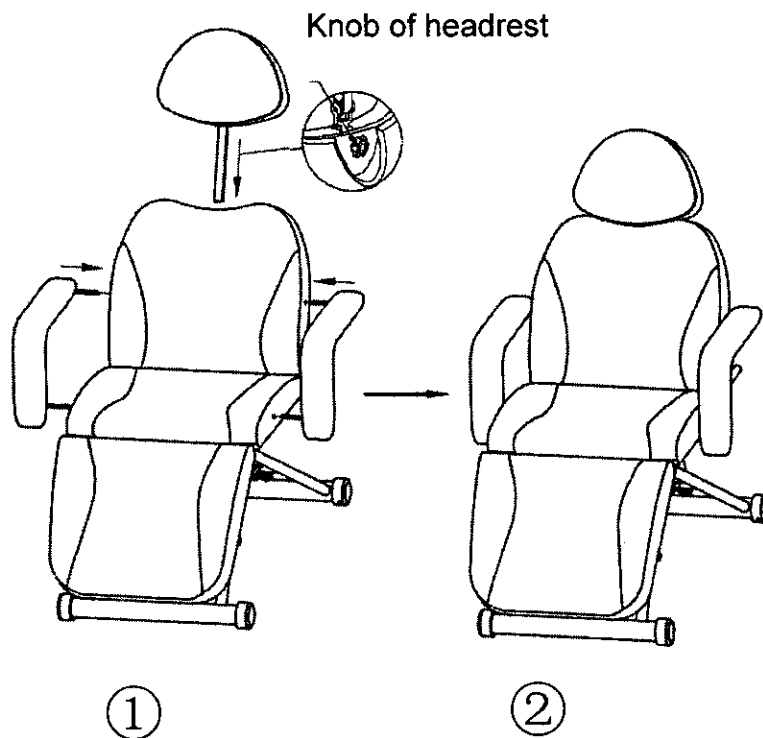
**Installing the pillow**

Loosen the plum knob behind the backrest, insert the pillow into the pillow mounting hole above the backrest, and then tighten the plum knob.

As picture ①:

**Installation of armrest**

Insert the left (right) handrail connecting rod into the mounting hole on the left (right) side of the bed as picture ②

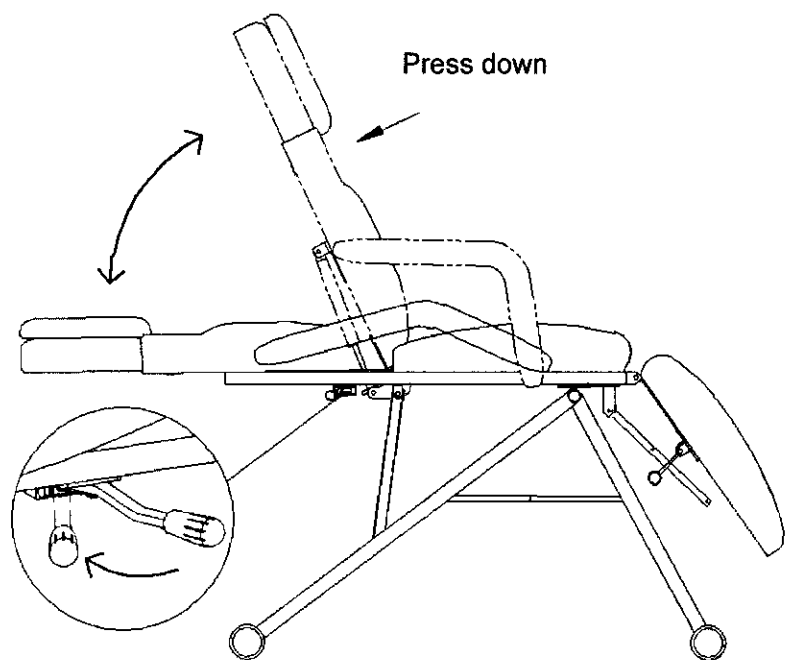


## ●Operating

### ● Adjustment the backrest

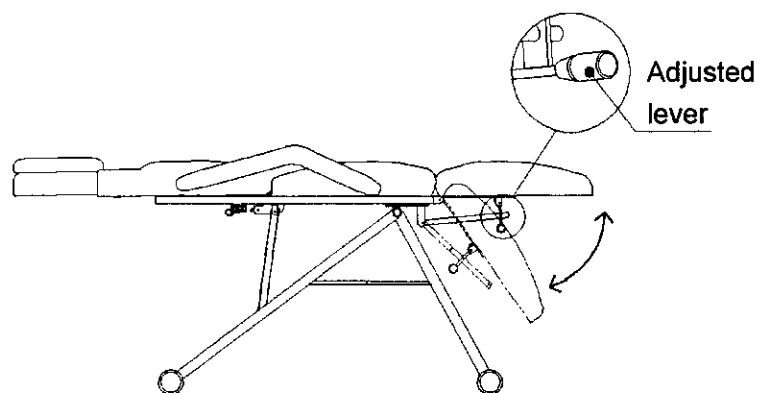
a、 Pull the handle of gas lifting ,the backrest would be up automatic

b、 Pull the handle of gas lifting , then press down the backrest to the right position ,then release the handle



### ● Footrest adjustment

Pull the adjusted lever and press down or lift the footrest to adjust the tilt angle



## Product maintenance.

### 1. Daily cleaning

Dust on the product, use a soft dry cloth to wipe.

### 2. Removal of stubborn dirt

The surface of the product is difficult to remove the dirt with an ordinary dry cloth, can be cleaned with a soft towel with diluted neutral detergent, and then wipe with a dry cloth.

### 3. Do not use solvents such as benzene, thinner or gasoline

These solvents may damage the leather of the product or cause erosion of the surface of the product shell.

### 4. Storage environment and use environment

Do not place the product in an environment with strong sunlight and humidity to avoid damage to the product.

### 5. Allowed to be used at temperatures from -5°C to 50°C and humidity from 45% to 85%.

## Troubleshoot:

When you have trouble using this product, please try the following troubleshooting and elimination operations:

Phenomenon	Diagnosis	Exclusion Operations
The bed uses the strangesound, shaking	Loose screws	Lock each screw

◆Product improvements that do not affect the basic structure, performance and appearance are subject to change without notice.

o