

Stella Electric Medical Spa Treatment Table (Facial Chair/Bed)

User Manual



SKIN+ACT

www.skinact.com | www.spaandequipment.com

Toll Free: 1.800.418.0830

Copyright © 2025 SkinAct, All Rights Reserved

NOTICE

No part of this document may be photocopied, reproduced, or translated into any other language without prior written consent of SkinAct.

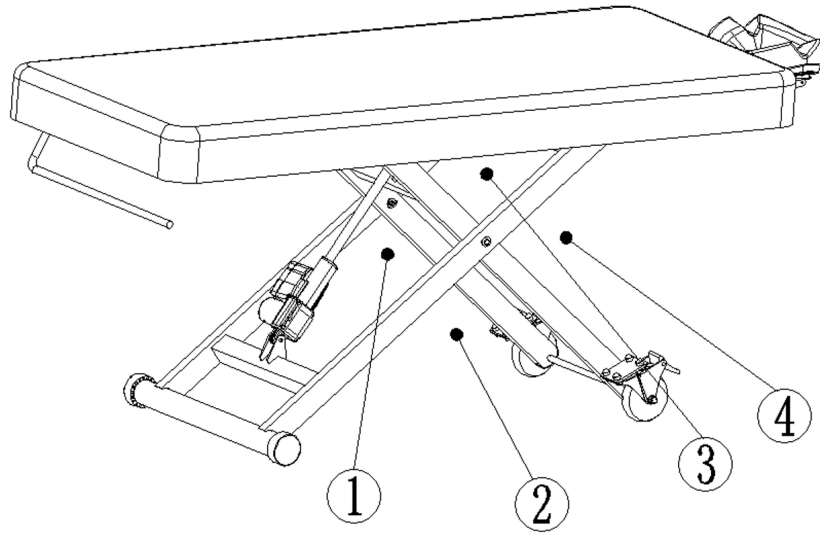
The information in this document is subject to change without notice at any time and should not be construed as a commitment by SkinAct. SkinAct assumes no responsibility for any errors that may be in this document, nor does it make expressed or implied warranty with regard to this material, including, but not limited to, the implied warranties of merchantability and fitness for a particular purpose.

SkinAct shall not be liable for incidental or consequential damages arising out of the furnishing, performance, or use of this document and the program material which it describes.

SKIN+ACT

www.skinact.com | www.spaandequipment.com

Toll Free: 1.800.418.0830



Instructions:

The information in this document is subject to change without notice at any time and should not be construed as a commitment by Spa and Equipment/SkinAct. Spa and Equipment/SkinAct assumes no responsibility for any errors that may be in this document. Before connection, operation and adjust the bed, please read the user manual carefully.

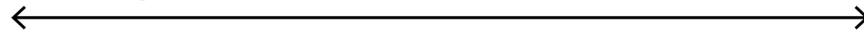
- This electric massage bed uses a three-wire power cable. Meanwhile it should be inserted into the three-hole outlet where there is a ground electrode. And it should be assured that it can be connected to the ground electrode smoothly so that it can prevent people from getting electric shock while functioning normally.
- All the plugs, buttons and other components connected to the power cable must not dip in the water or other liquid.
- It is forbidden to put your hands, feet, head or other part of the body into the gap as below position ①②③④ While adjust the height of the bed by remote control and foot control.
- It is prohibited to use when plugs, buttons and other components connected to the power cable are broken.
- It should be noticed that the frequency is 6min/h when the motor of this massage chair is used.
- The maintenance should not be dealt with without official training.

Attentions:

1. Someone with osteoporosis or heart problem should not use this massage chair;
2. Women being pregnant or in menstruation should not use this massage chair;
3. Someone injured or with disabilities should not use this massage chair;
4. Children under 14 years old without any supervision and someone unconscious should not use this massage chair;
5. Breakages of the power cable and plug should be eliminated before it's normally used. Breakages should be dealt with by someone professionals or service providers;
6. The voltage should accord with the safety voltage before it's officially used. And the wrong voltage may lead to the breakdown of the product;
7. Wet hand is not allowed to touch power to avoid shock;
8. The product should not plug in before it's already installed;
9. The power cable should be put away so that pedestrian will not trip up and fall;
10. The appearance of the product should cleaned by the use of the soft towel with diluted neutral detergent;
11. It should be unplug when it's not used;
12. Do not dismount this product without any authorization. Please inform the official service providers to deal with the Maintenance.

Measurements

Length with face cradle extended: 94"



Length with face cradle on: 88"

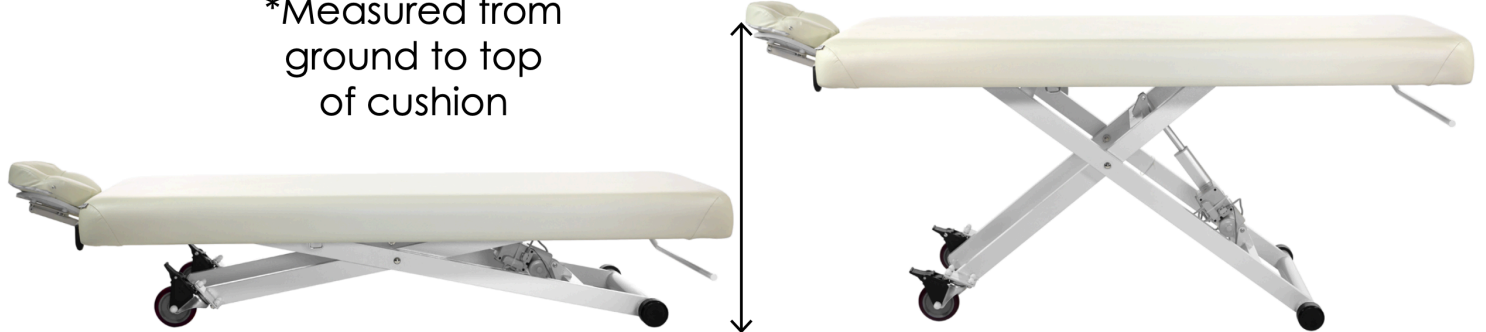


Length without face cradle: 75"



Adjustable
Height:
16" - 35"

*Measured from
ground to top
of cushion



Measurements






Movements:

- Electric height adjustment
 - Manual rolling wheels for easy table movement
 - Manual removable face cradle and arm rests
- Dimensions/Specifications:
- Length without face cradle: 75"
 - Length with face cradle: 88"
 - Length with face cradle extended: 94"
 - Width: 30"
 - Heights: 16" - 35"
 - BASE ONLY Dimensions: 49" L x 23" W (Note: The length of the base changes based on the table height. Please refer to the video to see.)
 - Capacity of 400 lbs
 - Cushion thickness: 5"
 - Colors available: Beige, Dark Brown,
 - Arrives fully assembled
 - Heavy-duty facial table/chair
 - High-quality PU upholstery; ultra-durable material
 - Heavy-duty construction
 - Adjustable face cradle and arm rest included
- * All height measurements are from ground to top of cushion * ** All measurements have a 0.25 to 0.75 inch tolerance **

Warranty Information:

- 1-year warranty

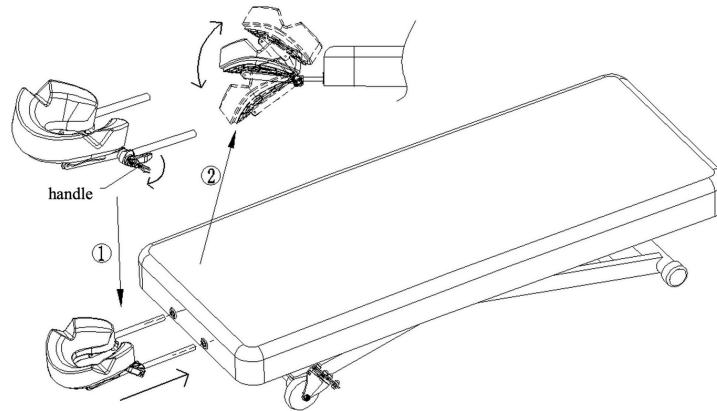
Additional Part List:

Items	PIC	QTY
Extension headrest		1 pcs
Hand holding		1 pcs
Roll holder		1 pcs

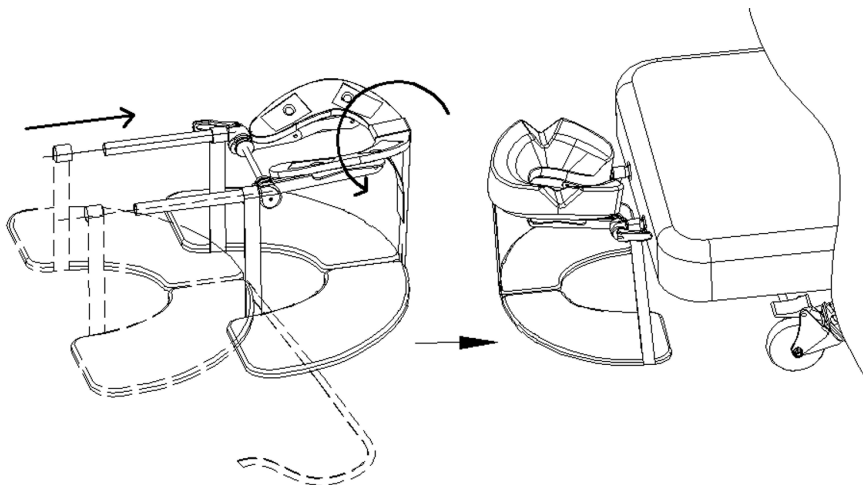
Installation:

1. Install extension headrest: loose the handle of headrest, insert the two feet of the headrest into the two holes in the back, then adjust the angle of the headrest up and down. After adjusting the angle, push the handle down and lock it tightly, as picture show.

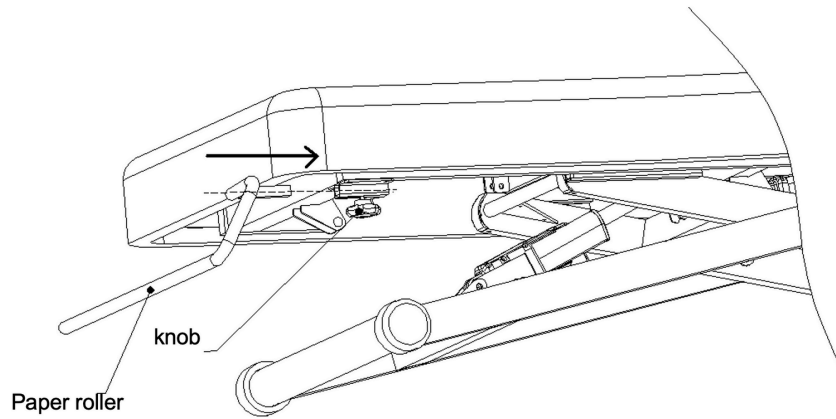
handle



2. Install hand holder: install hand holder to head pillow, then install to bed body as below show.

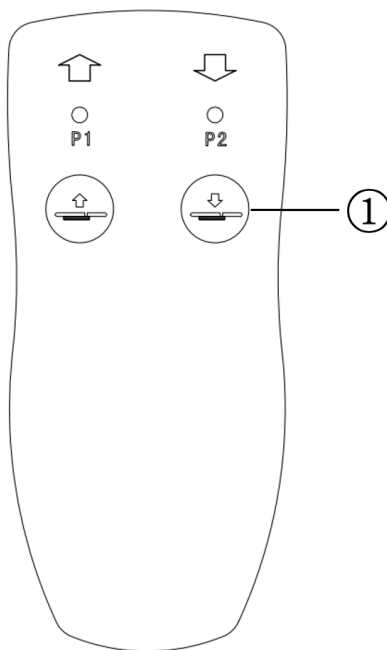


3. Install paper roller:loose the knob on bottom of bed,then insert paper roller and twist tight the knob.as below picture show:





Use Method:



Hand control picture:

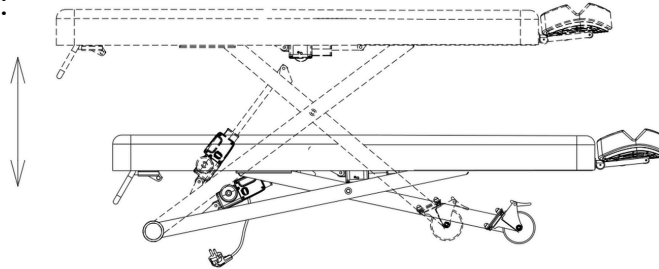


Hand control button specification:

SW1 press  button, bed raise up,
press  button, bed descend.

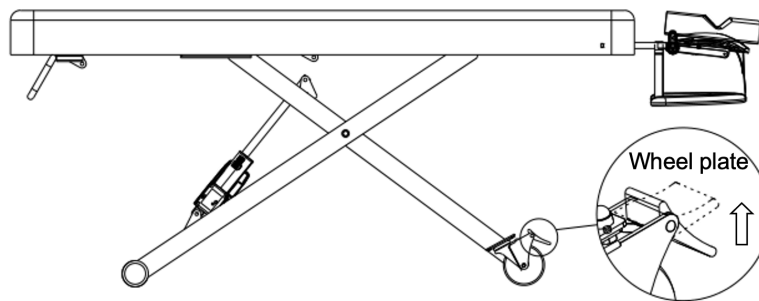
Height Adjustment:

Press the button on the hand control  or  to control the bed up and down, as below picture show:



Plastic Wheel Use Method:

Lift the pressure plate of two side wheel, pull out the body incline with ground, move bed by wheels, as picture show.



Maintenance:

1. Daily cleaning

You can wipe out the dust by using soft dry towel.

2. Eliminating the stubborn dirt

As we all know, it is hard to eliminate the stubborn dirt by using normal dry towel. In this case, you can use soft towel with diluted neutral detergent to clean it first. And then you can use dry towel to scrub.

3. It's prohibited to use benzene, diluent, gasoline or other solvent.

These solvents may damage the leather or it may cause the corrosion of the products' appearance.

4. Storage and operating environment

Don't put the product under the strong sunlight and moisture environment. Otherwise it may cause the damages of the product.

5. It is allowed to use this product under the temperature from -5°C to 50°C and the humidity from 45% to 85%.

Fault Diagnosis:

If there is something wrong when you use the product, please try to check and eliminate the wrong operation as followings.

Phenomenon	Diagnosis	Operation of elimination
Press the pedal but without any responses.	1.Controller power switch start or not.	1.Try to re-start the controller power switch.
	2.To check if the pedal has reached to maximum.	2.Try other buttons workable or not.
	3. To check if the power plug is connected.	3.Disconnect the power plug and re-plug it again.
	4.To check if each connecting plug of the transformer is connected.	4.Re-plug and connect it again.
Letting out noises and shaking while going up and down	Screw loosens	Tighten all the screws
The light is still off although the switch is on.	The fuse has burned out	Replace the fuse.