

# Palma Electric Medical Spa Treatment Table Specifications Sheet



Spa & Equipment SKIN+ACT

Toll Free: 1.800.418.0830

[www.skinact.com](http://www.skinact.com)  
[www.spaandequipment.com](http://www.spaandequipment.com)

International: 818.834.6640

## NOTICE

No part of this document may be photocopied, reproduced, or translated into any other language without prior written consent of Spa and Equipment/SkinAct.

The information in this document is subject to change without notice at any time and should not be construed as a commitment by Spa and Equipment/SkinAct.

Spa and Equipment/SkinAct assumes no responsibility for any errors that may be in this document, nor does it make expressed or implied warranty with regard to this material, including, but not limited to, the implied warranties of merchantability and fitness for a particular purpose.

Spa and Equipment/SkinAct shall not be liable for incidental or consequential damages arising out of the furnishing, performance, or use of this document and the program material which it describes.



Toll Free: 1.800.418.0830

[www.skinact.com](http://www.skinact.com)  
[www.spaandequipment.com](http://www.spaandequipment.com)

International: 818.834.6640

# Controls for the Palma



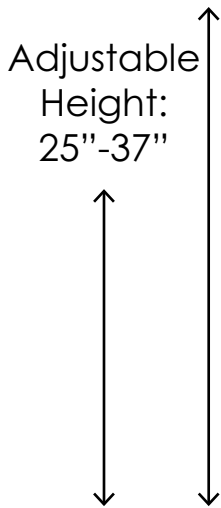
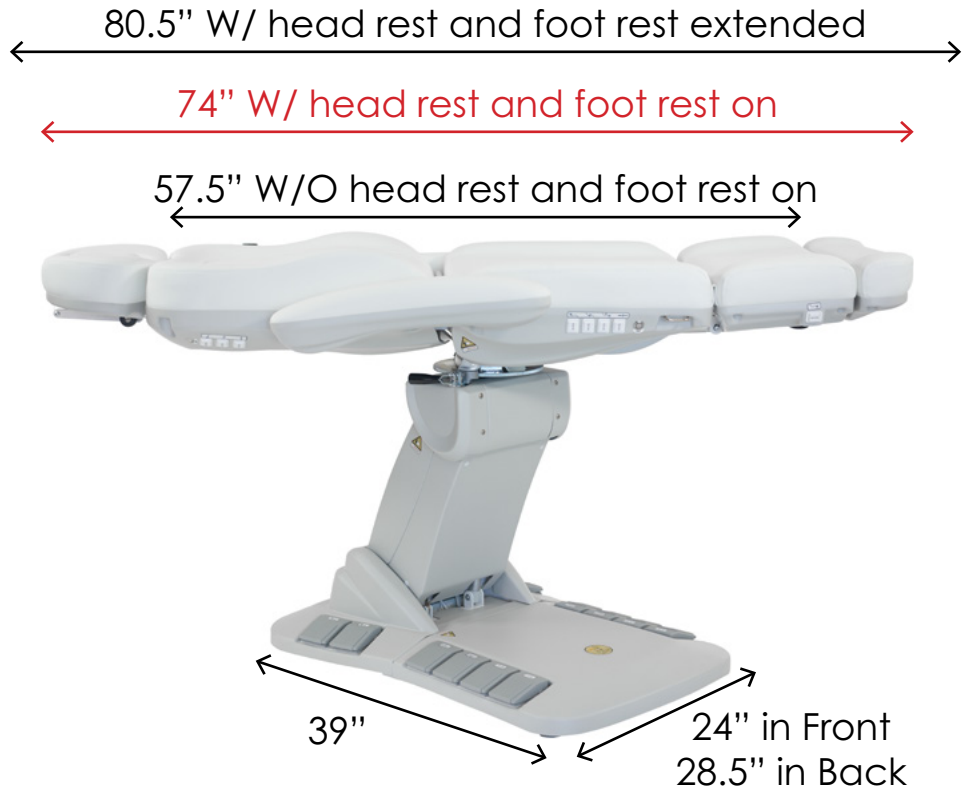
\*optional foot controller



\*optional hand remote



# Measurements



# Measurements



# Measurements



# Highlights

## Movements:

- Electric backrest angle, leg rest angle, height, and seat tilt adjustment
- Manual chair rotation
- Manual removable arm rests, head rest extension, and leg rest extension

## Dimensions/Specifications:

- Length without leg rest or head rest attached: 57.5"
- Length with leg rest extension and head rest on: 74"
- Length with leg rest extension and head rest out: 80.5"
- Width without arm rests: 24"
- Width with arm rests: 32"
- Heights: 25" - 37"
- BASE ONLY Dimensions: 39" L x 24" W in front: 28.5" W in back
- Backrest angle: 0° flat to 90° inclined
- Leg rest angle: 0° flat to 85° declined
- Seat tilt angle: 0° to 10°
- Rotation: 150° (75° to the left, 75° to the right)
- Capacity of 350 lbs
- Colors available: Black, White, or Grey

\* All height measurements are from ground to top of cushion \*

\*\* All measurements have a 0.25 to 0.75 inch tolerance \*\*

\*\*\* Hand remote control sold separately \*\*\*

## Warranty Information:

- 1-year warranty