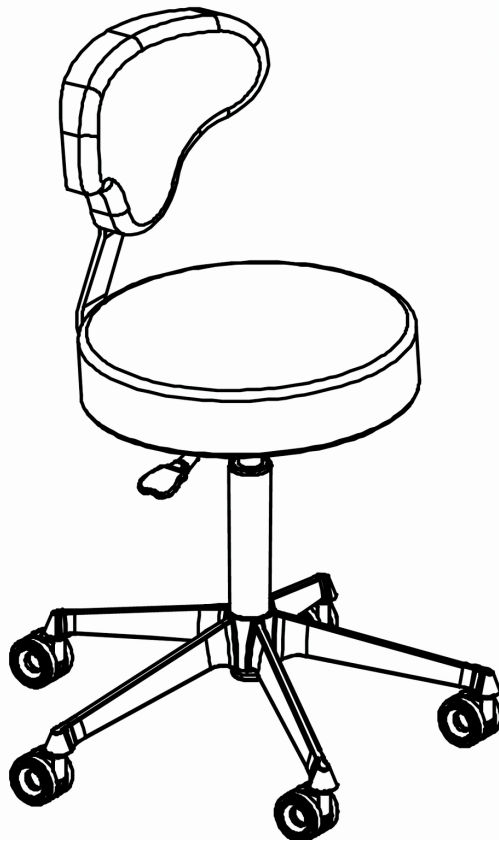


# Lago Pro Stool

User Manual



SKIN+ACT

[www.skinact.com](http://www.skinact.com) | [www.spaandequipment.com](http://www.spaandequipment.com)

Toll Free: 1.800.418.0830

# Copyright © 2025 SkinAct, All Rights Reserved

## NOTICE

No part of this document may be photocopied, reproduced, or translated into any other language without prior written consent of SkinAct.

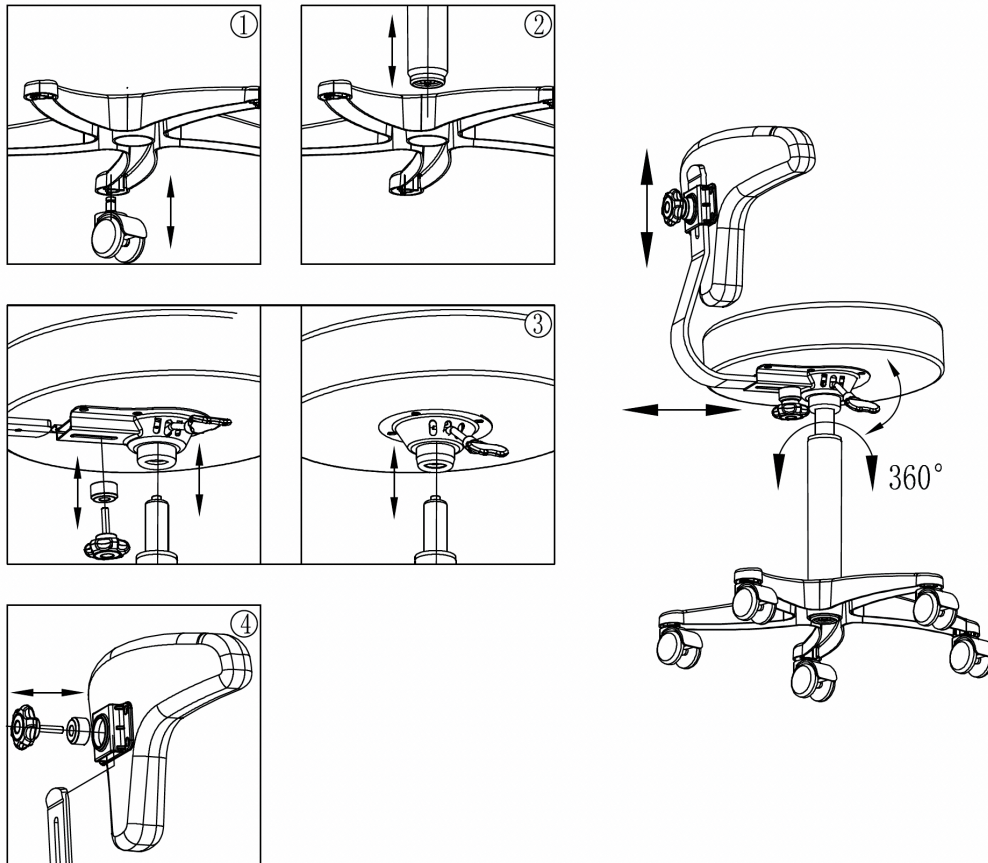
The information in this document is subject to change without notice at any time and should not be construed as a commitment by SkinAct. SkinAct assumes no responsibility for any errors that may be in this document, nor does it make expressed or implied warranty with regard to this material, including, but not limited to, the implied warranties of merchantability and fitness for a particular purpose.

SkinAct shall not be liable for incidental or consequential damages arising out of the furnishing, performance, or use of this document and the program material which it describes.

# SKIN+ACT

[www.skinact.com](http://www.skinact.com) | [www.spaandequipment.com](http://www.spaandequipment.com)

Toll Free: 1.800.418.0830



#### Step 1: Install the Wheels

- Insert each wheel into the designated sockets at the bottom of the stool base.
- Ensure the wheels are securely attached by pressing them firmly into place.

#### Step 2: Attach the Cylinder

- Insert the cylinder into the center hole of the stool base.
- Push the cylinder down until it fits snugly.

#### Step 3: Secure the Seat Mechanism

- Align the seat mechanism with the top of the cylinder.
- Attach the mechanism by firmly pressing it into place.
- Use the provided screws or bolts to fasten the mechanism to the underside of the stool seat.

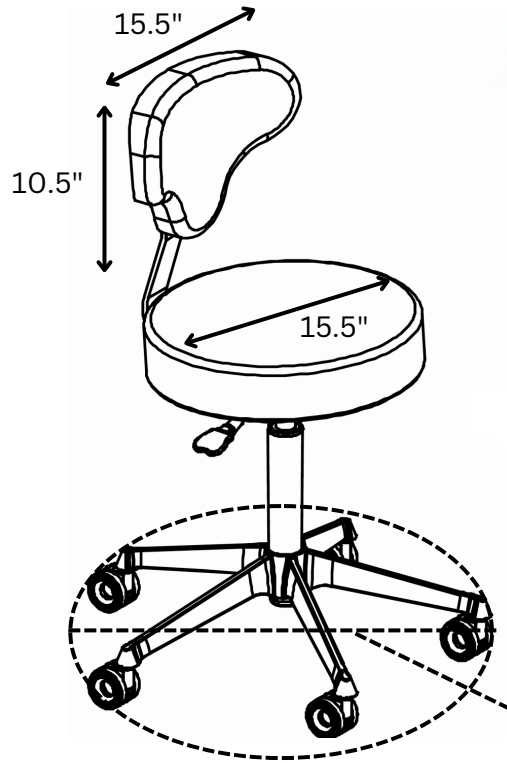
#### Step 4: Attach the Backrest

- Align the backrest with the seat mechanism.
- Secure the backrest by inserting the bolt through the holes and tightening it with a wrench or tool provided.
- Adjust the backrest angle as needed before fully tightening the bolt.

#### Final Adjustments

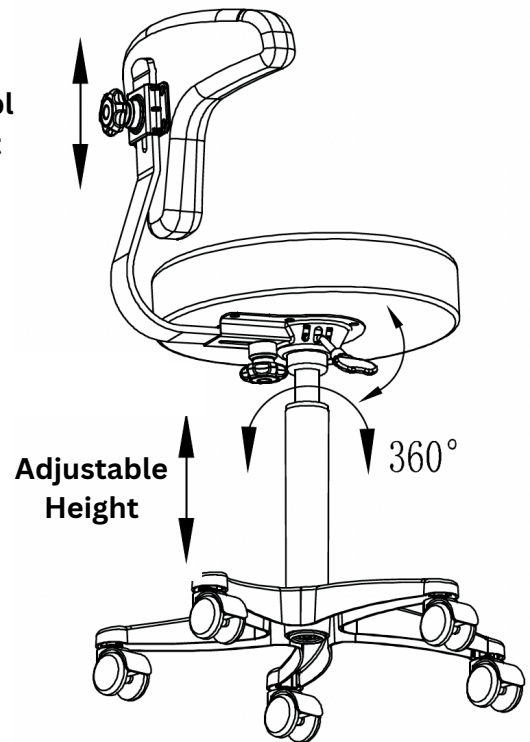
- Test the stool by rotating it 360° and adjusting the height using the lever on the side.
- Ensure all parts are securely fastened before use.

**Your stool is now assembled and ready to use!**



Base Diameter:  
25"

Adjustabl  
Height



### Key Features

- Adjustable seat height
- Adjustable backrest height
- Weight: 25 lbs
- Weight Capacity: 400 lbs
- Colors Available: Dark Brown, Beige, Taupe, Mocha, Light Grey, Dark Grey

### Detailed Dimensions

- Base Diameter: 25"
- Seat Height (from ground to seat cushion): 22" - 29"
- Seat Cushion Width: 15.5"
- Backrest Cushion: 15.5" W x 10.5" H
- Cushion Thickness: 3.5"

### Height Measurements (from ground to top of cushion)

- Seat Cushion Lowest:
  - Backrest Lowest: 32"
  - Backrest Highest: 35"
- Seat Cushion Highest:
  - Backrest Lowest: 39"
  - Backrest Highest: 42"