

# Lavo Medical Spa Facial Treatment Table Specifications Sheet



**SKIN+ACT**

Toll Free: 1.800.418.0830

[www.skinact.com](http://www.skinact.com)  
[www.spaandequipment.com](http://www.spaandequipment.com)

International: 818.834.6640

## NOTICE

No part of this document may be photocopied, reproduced, or translated into any other language without prior written consent of Spa and Equipment/SkinAct.

The information in this document is subject to change without notice at any time and should not be construed as a commitment by Spa and Equipment/SkinAct.

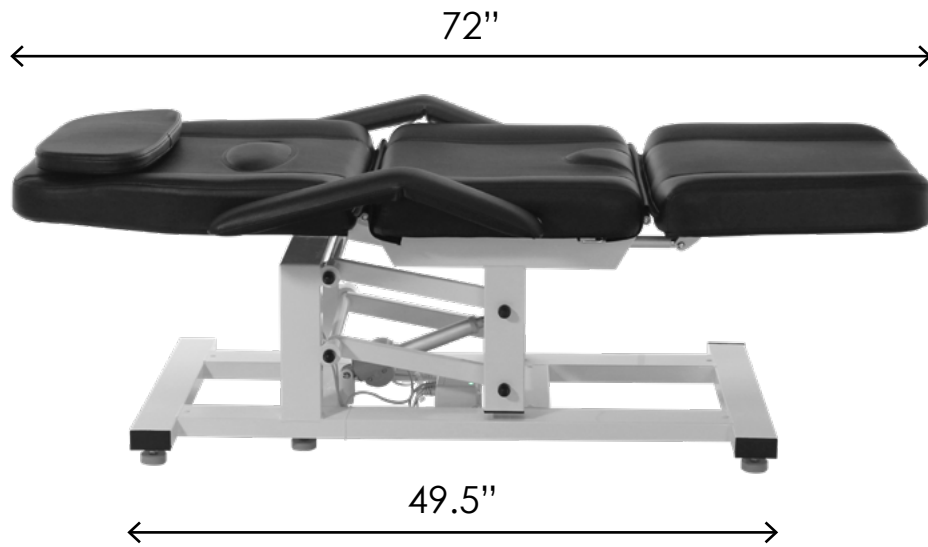
Spa and Equipment/SkinAct assumes no responsibility for any errors that may be in this document, nor does it make expressed or implied warranty with regard to this material, including, but not limited to, the implied warranties of merchantability and fitness for a particular purpose.

Spa and Equipment/SkinAct shall not be liable for incidental or consequential damages arising out of the furnishing, performance, or use of this document and the program material which it describes.

# SKIN+ACT

Toll Free: 1.800.418.0830	<a href="http://www.skinact.com">www.skinact.com</a> <a href="http://www.spaandequipment.com">www.spaandequipment.com</a>	International: 818.834.6640
---------------------------	--	-----------------------------

# Measurements

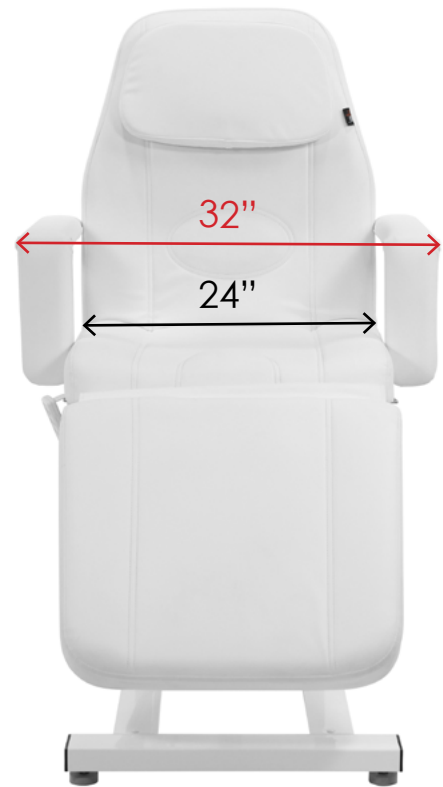
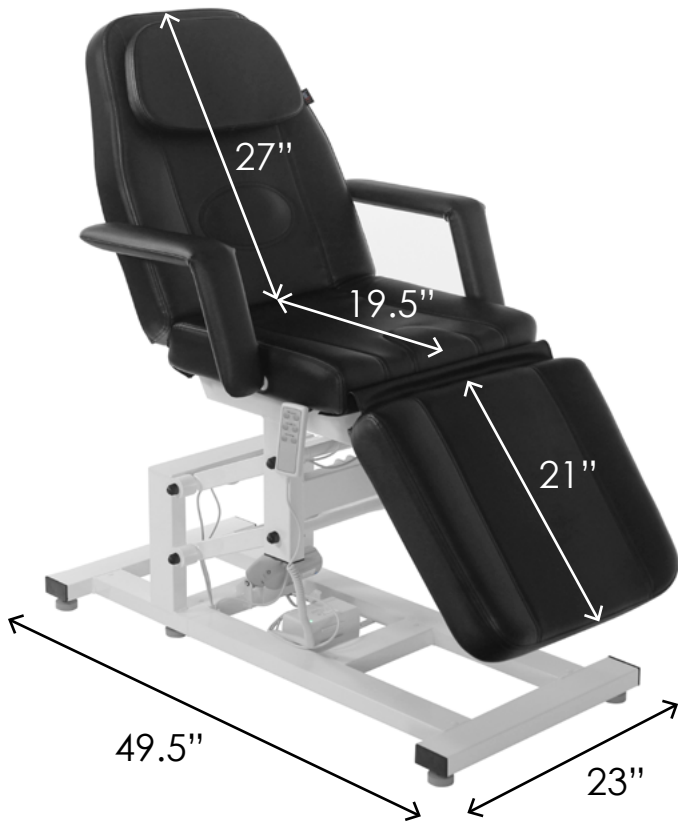


Adjustable  
Height:  
23"-35"

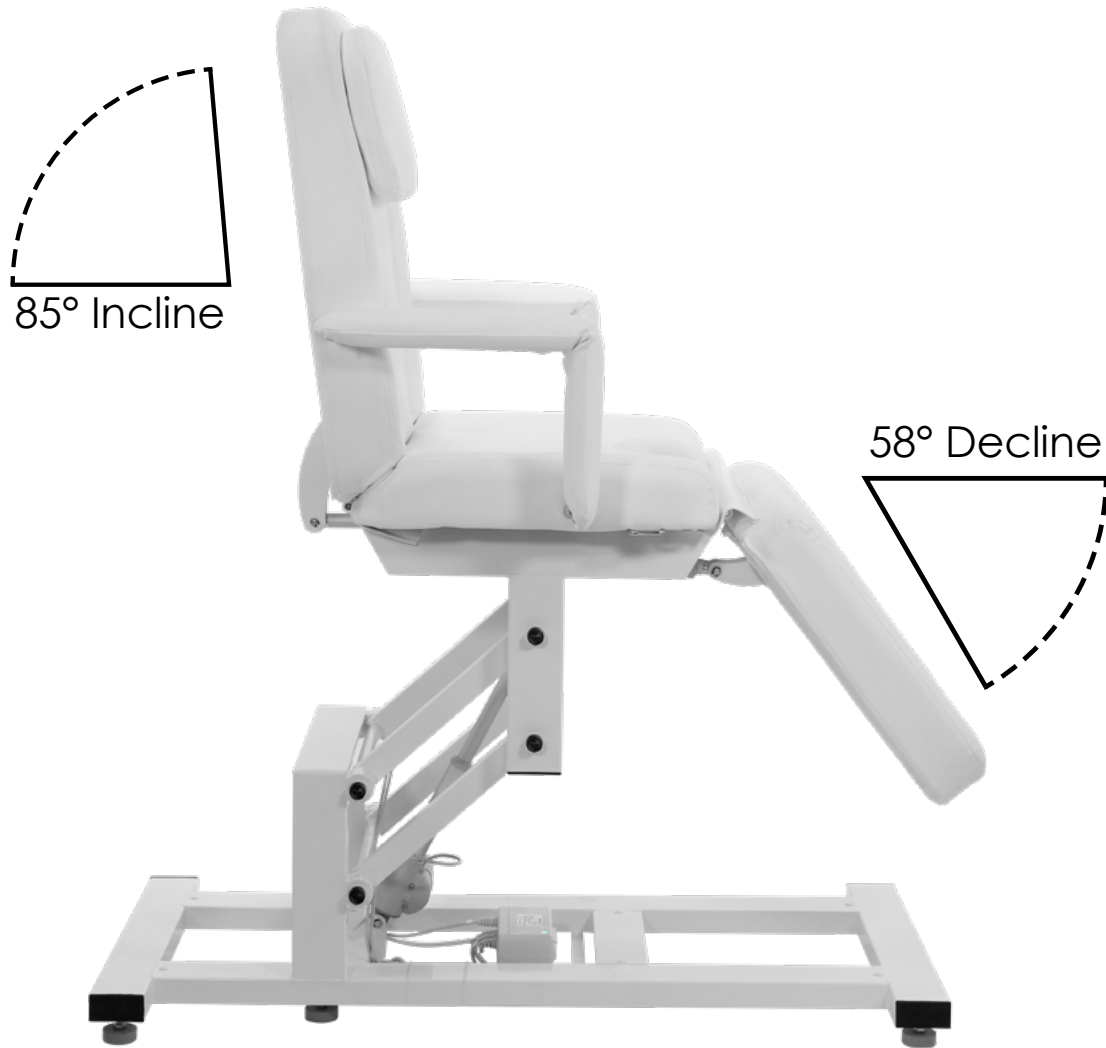
Two vertical double-headed arrows are positioned to the left of the table. The longer arrow spans from the base of the table to the top surface, representing the full range of height adjustment. The shorter arrow is positioned below the longer one, representing a specific height range.



# Measurements



# Measurements



# Highlights

## Movements:

- Electric backrest angle adjustment
- Electric leg rest angle adjustment
- Electric height adjustment
- Manual removable arm rests

## Dimensions/Specifications:

- Length: 72"
- Width without arm rests: 24"
- Width with arm rests: 32"
- Heights: 23" - 35"
- Base dimensions (BASE ONLY): 49.5" x 23"
- Backrest angle: 0° flat to 85° incline
- Legrest angle: 0° flat to 58° decline
- Capacity of 350 lbs
- Cushion Thickness: 4"
- Colors available: White or Black
- Removable pillow
- Face hole cutout for when clients are face down
- Leveling feet on base
- High-quality PU upholstery; ultra-durable material
- Heavy-duty construction

\* All height measurements are from ground to top of cushion \*

\*\* All measurements have a 0.25 to 0.75 inch tolerance \*\*

## Warranty Information:

- 1-year warranty